



## IV2-G300CA

Sensor head Wide field of view sensor model Color AF type



\*Please note that accessories depicted in the image are for illustrative purposes only and may not be included with the product.

## Specifications

Model	IV2-G300CA	
Type	Wide field of view sensor model	
Reference distance	40 to 300 mm 1.57" to 11.81"	
Field of view	Installation distance of 40 mm 1.57": 42 (H) × 31 (V) mm 1.65" (H) × 1.22" (V) to Installation distance of 300 mm 11.81": 275 (H) × 206 (V) mm 10.83" (H) × 8.11" (V)	
Indicators	2 (the same display details for both indicators)	
Image receiving element	Type	1/3 inch color CMOS
	Number of pixels	752 (H) × 480 (V)
Focus adjustment	Automatic*1	
Exposure time	1/25 to 1/50000	
Lights	Illumination	White LED
	Lighting method	Pulse lighting
Environmental resistance	Enclosure rating	IP67*2
	Ambient temperature	0 to +50°C 32 to 122°F (No freezing)
	Relative humidity	35 to 85% RH (No condensation)
	Vibration resistance	10 to 55 Hz; double amplitude 1.5 mm 0.06"; 2 hours in each of the X, Y, and Z directions*3
	Shock resistance	500 m/s <sup>2</sup> 1640.4'/s <sup>2</sup> , 6 times in each of the 3 directions*3
Material	Main unit case: Zinc die-casting, Front cover: Acrylic (hard coat), Operation indicator cover: TPU	
Weight	Approx. 75 g	

\*1 The focus position can be automatically adjusted at the time of installation. This function is deactivated during operation. A different focus position can be registered for each program.

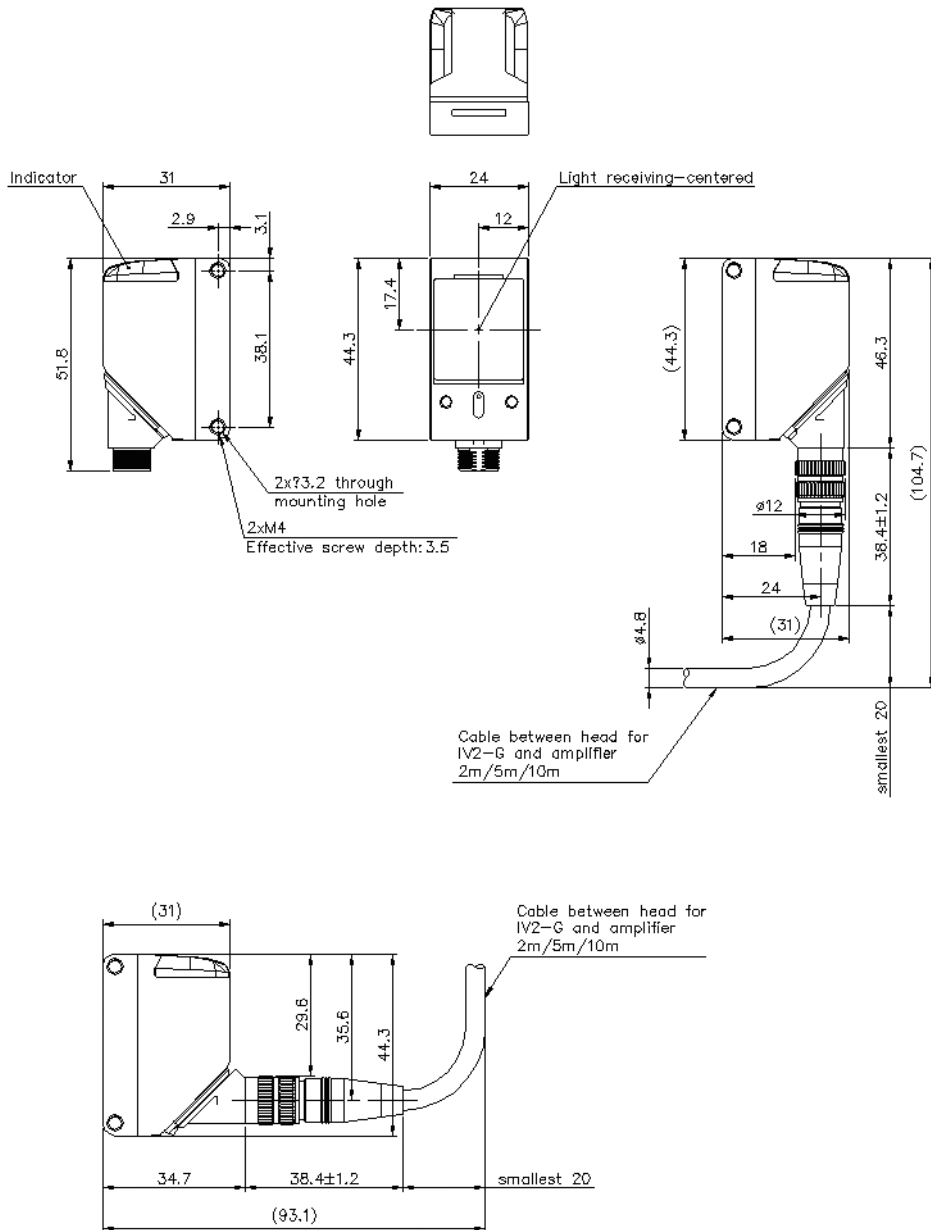
\*2 Except when the polarized light filter attachment (OP-87899/OP-87900/OP-87901) or the magnifying lens attachment (OP-87902) is mounted.

\*3 Except when the IV2 dome attachment (IV2-GD05/IV2-GD10) is mounted.

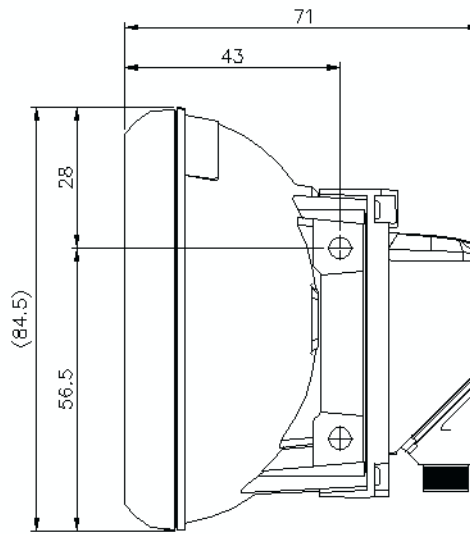
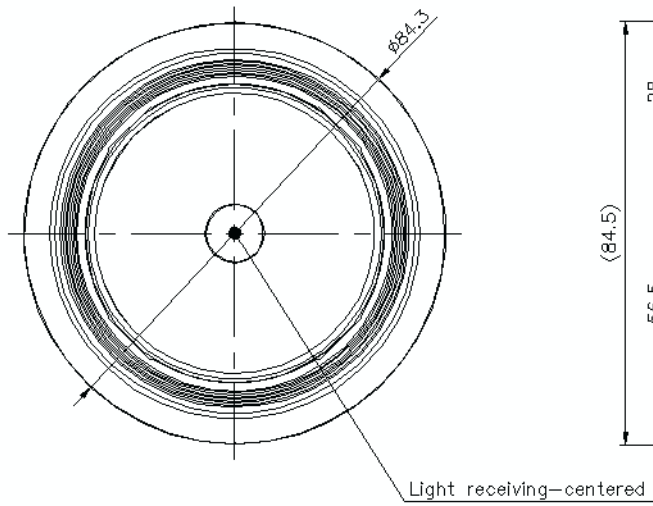
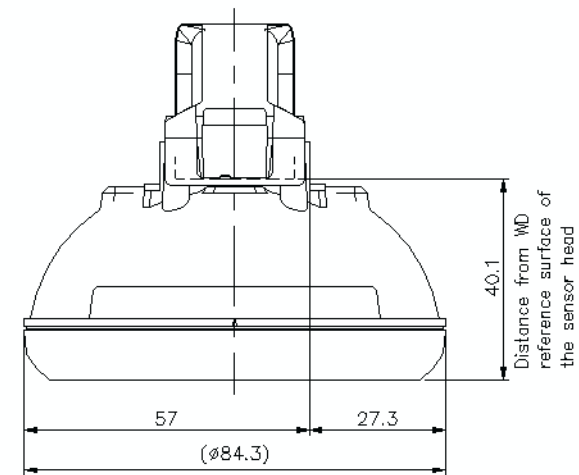
# Dimensions

\* Download CAD file or product manual for larger image/text and more detail.

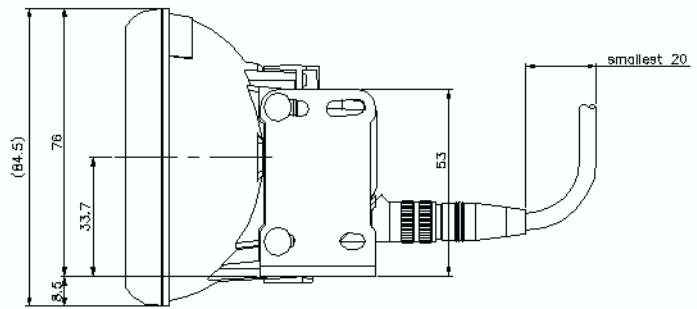
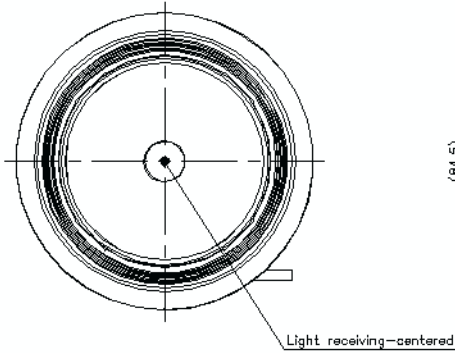
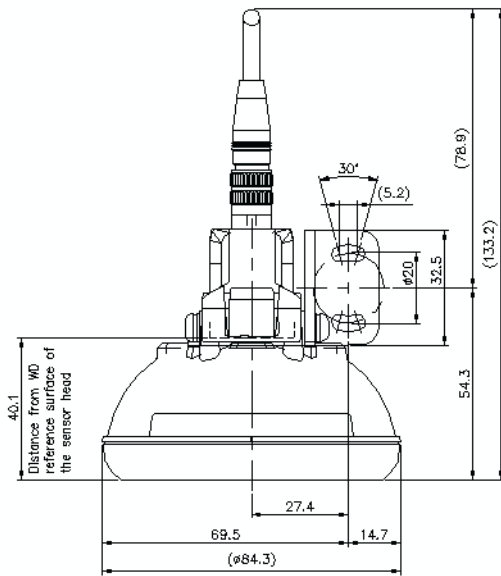
IV2-G150MA/G300CA/G500CA/G500MA/G600MA



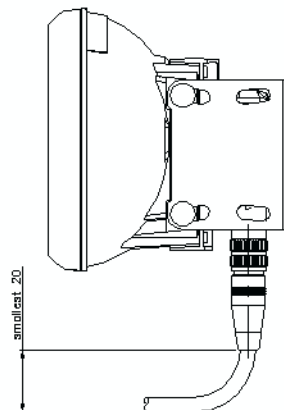
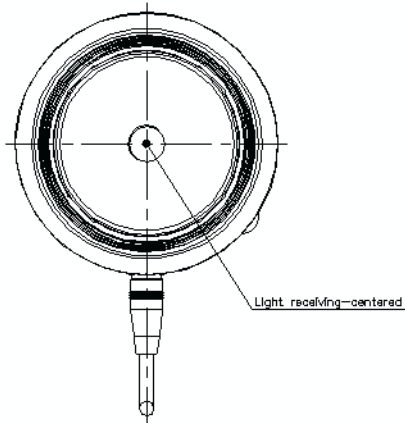
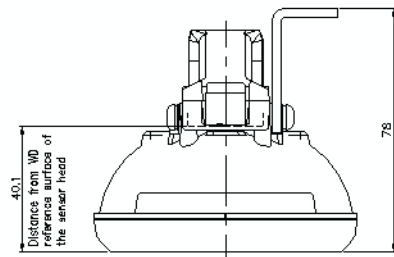
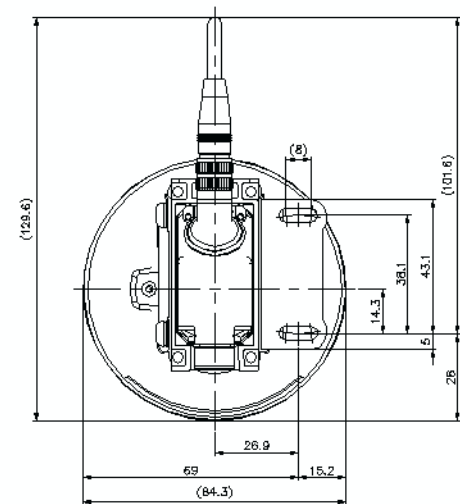
IV2-G150MA/G300CA/G500CA  
/G500MA/G600MA/GD05

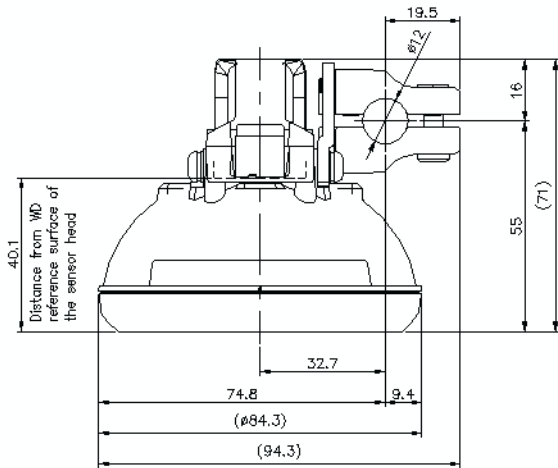


IV2-G150MA/G300CA/G500CA  
/G500MA/G600MA/GD05/OP-87908



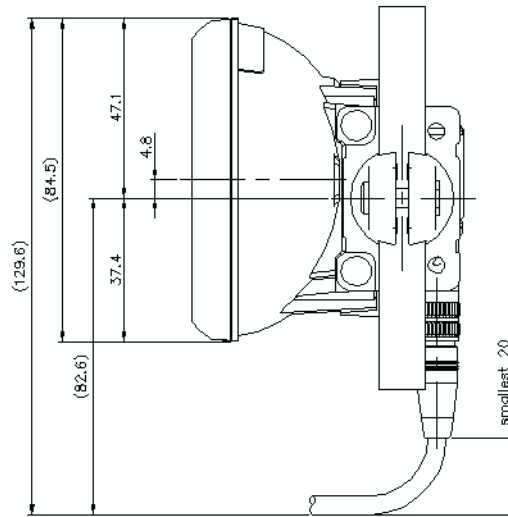
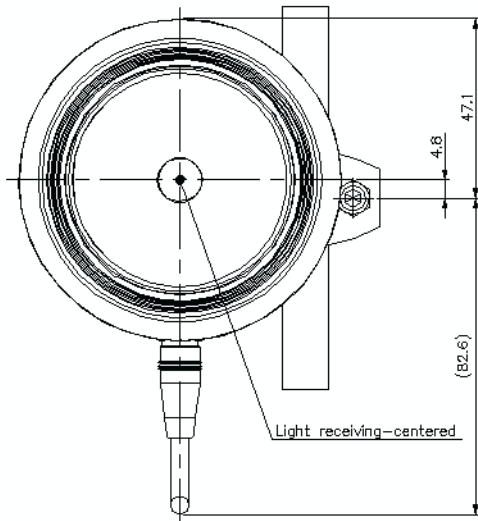
IV2-G150MA/G300CA/G500CA  
/G500MA/G600MA/GD05/OP-87909



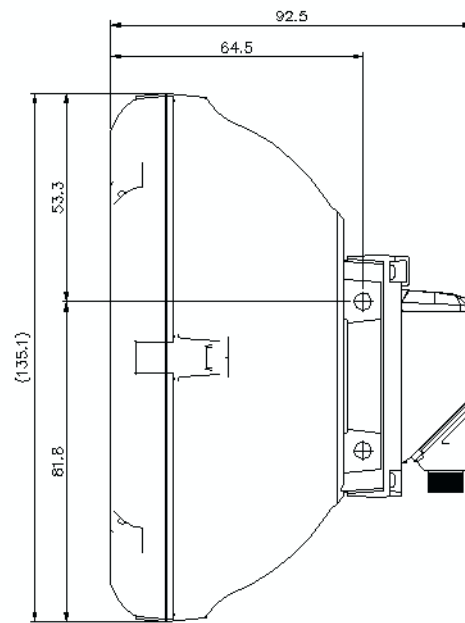
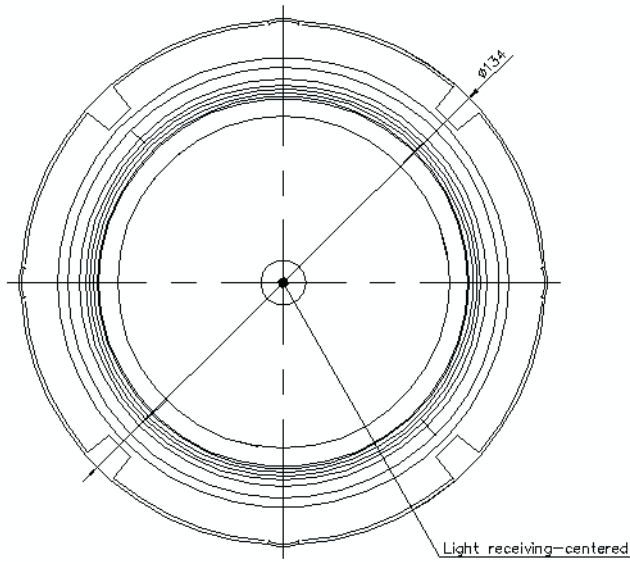
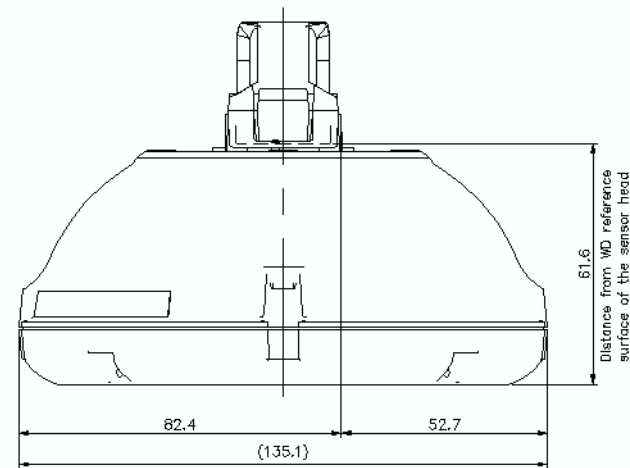


IV2-G150MA/G300CA/G500CA  
/G500MA/G600MA/GD05/OP-87910

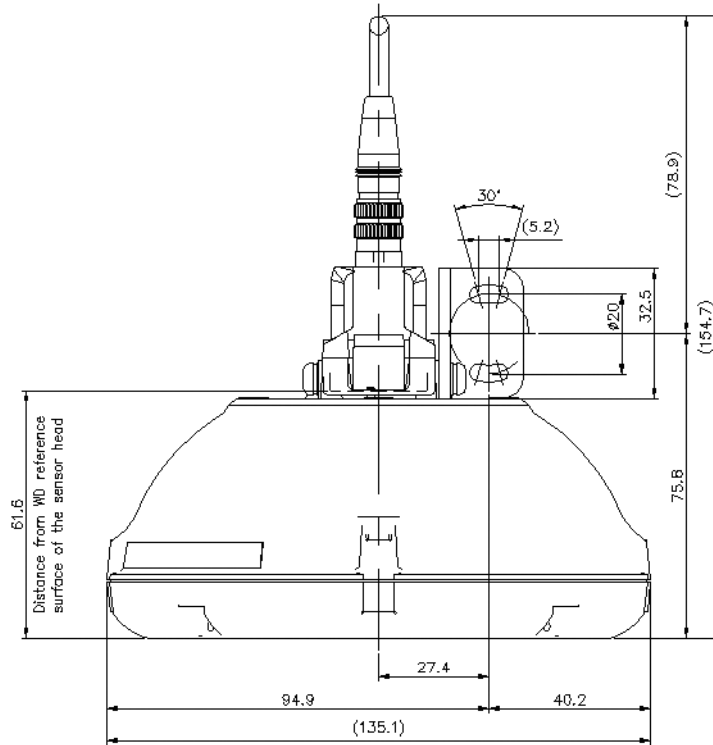
A support pipe of  $\varnothing 12$  is not included in OP-87910.



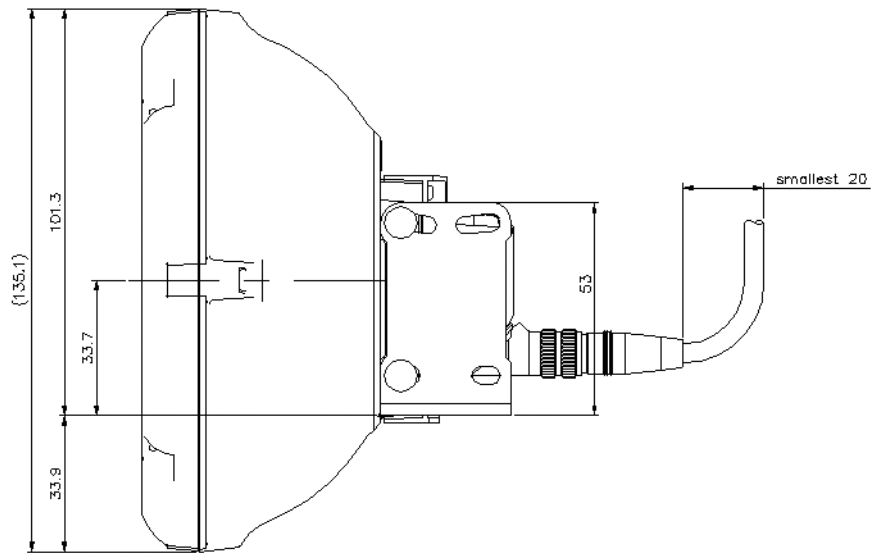
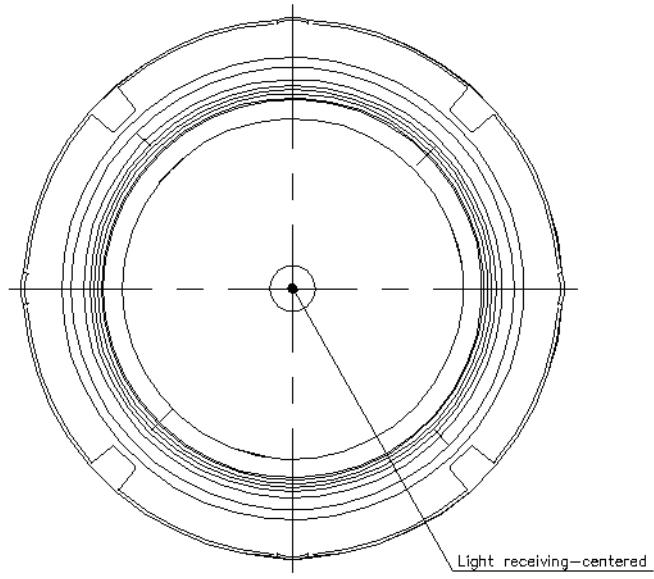
IV2-G150MA/G300CA/G500CA  
/G500MA/G600MA/GD10



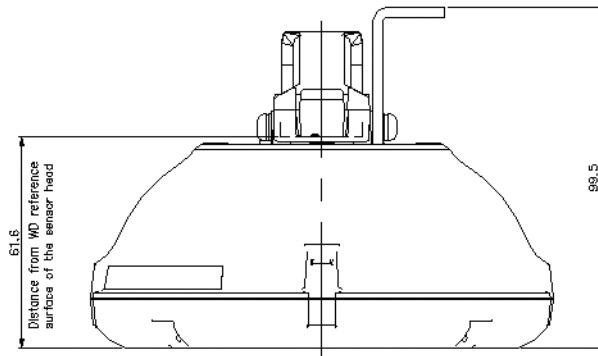
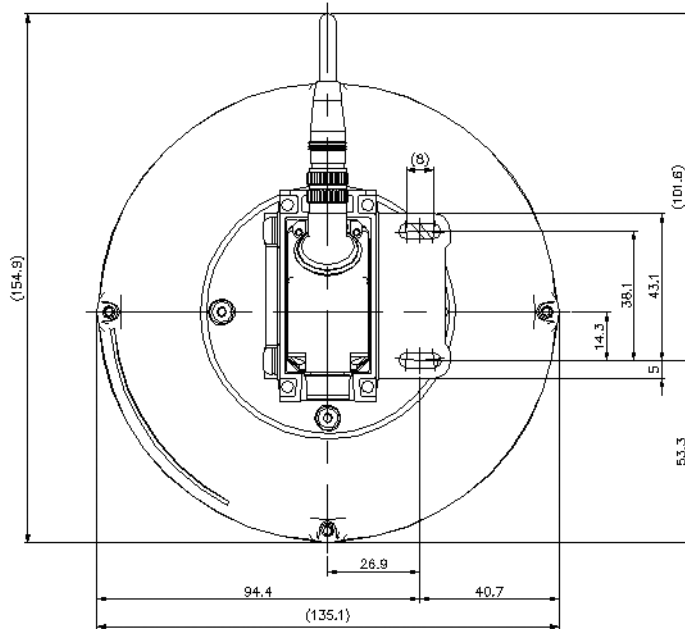
IV2-G150MA/G300CA/G500CA  
/G500MA/G600MA/GD10/OP-87908

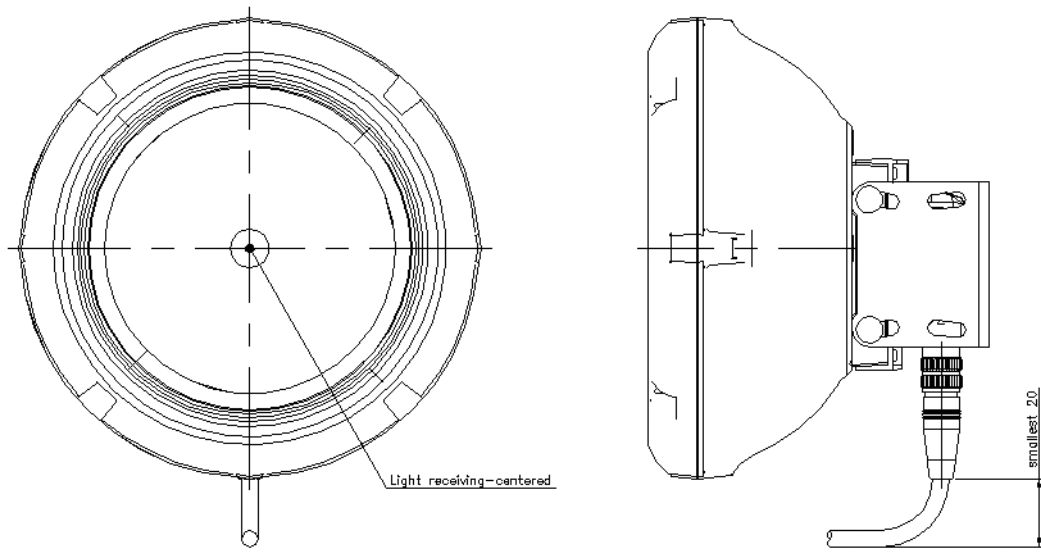




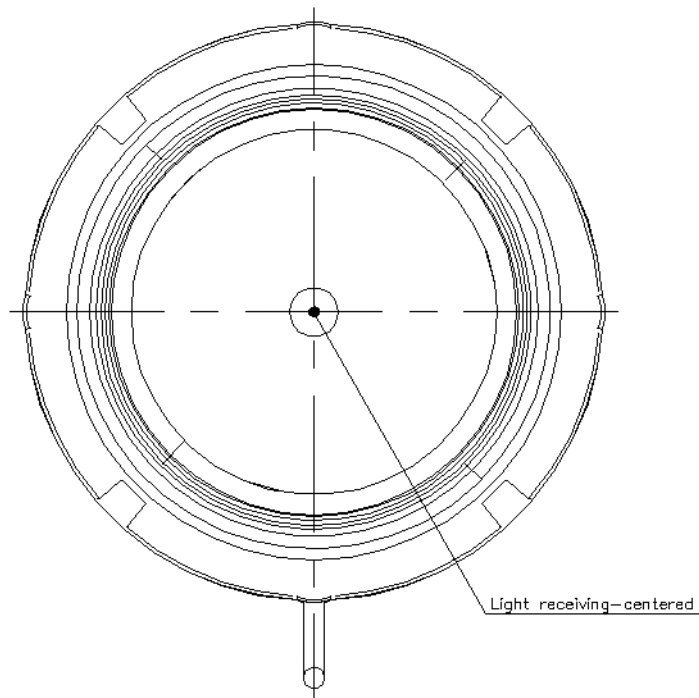
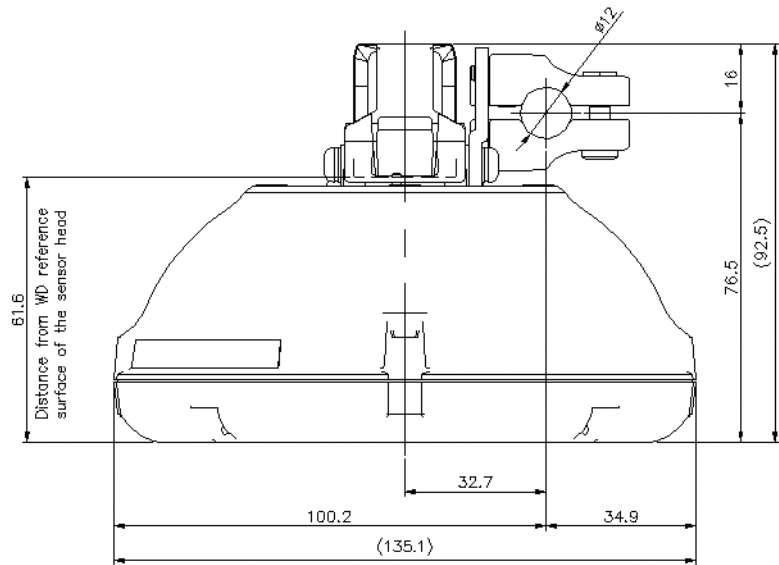


IV2-G150MA/G300CA/G500CA  
/G500MA/G600MA/GD10/OP-87909

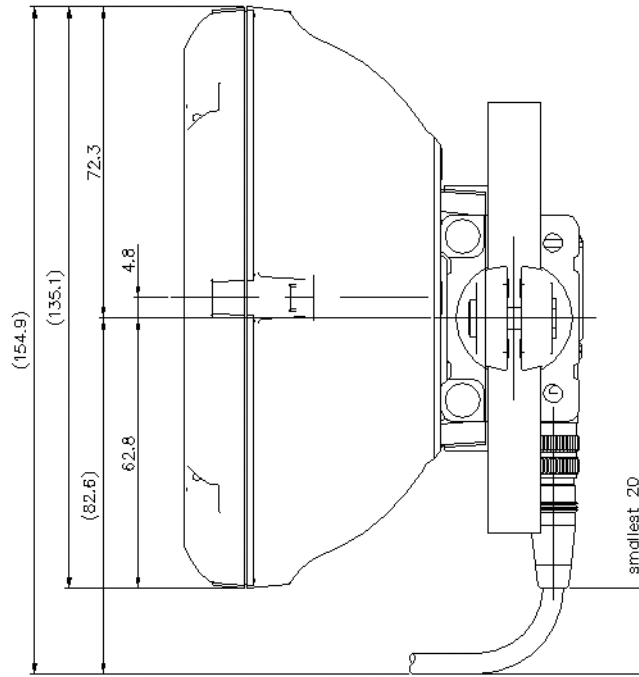




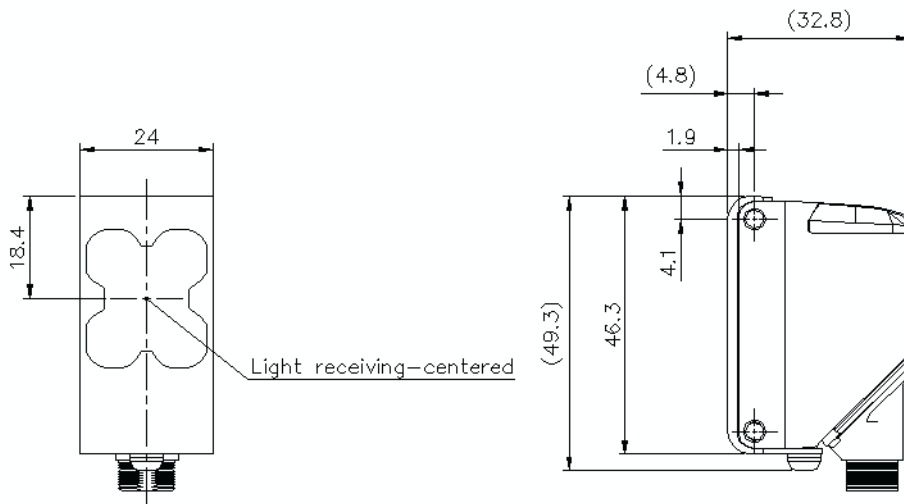
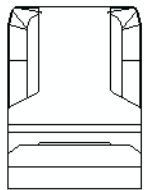
IV2-G150MA/G300CA/G500CA/G500MA/G600MA/GD10/OP-87910



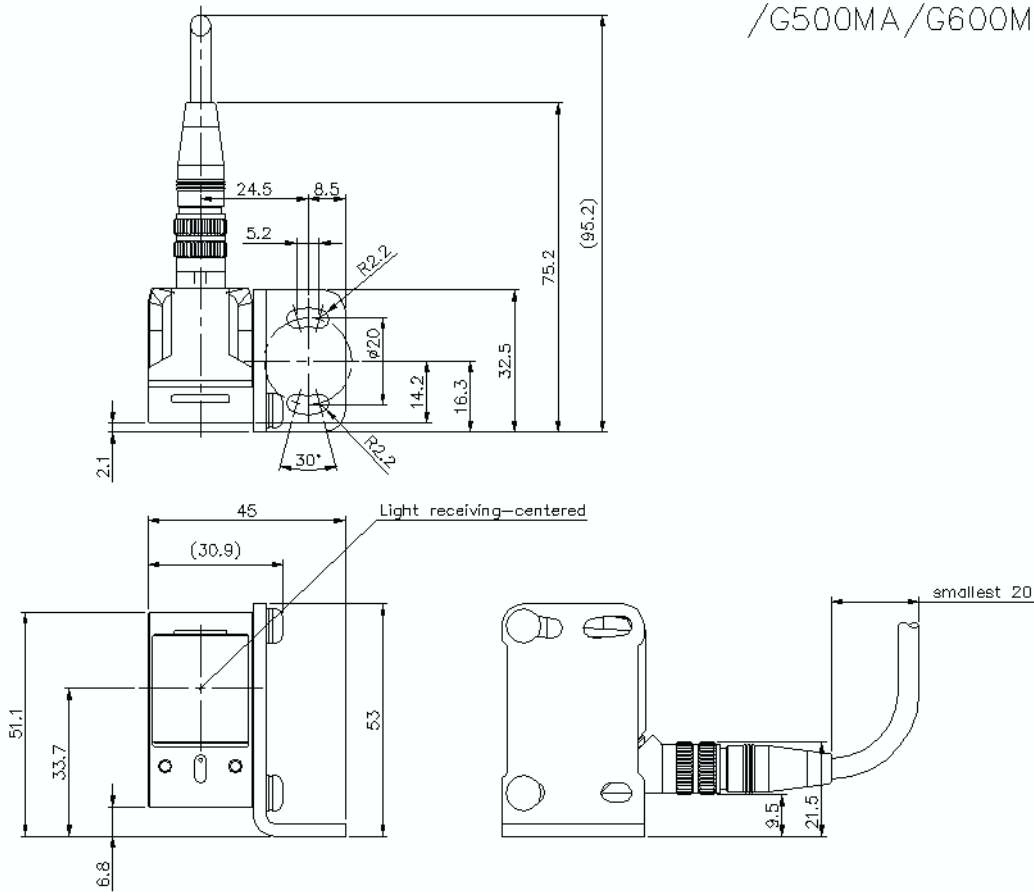
A support pipe of  $\varnothing 12$  is not included in OP-87910.



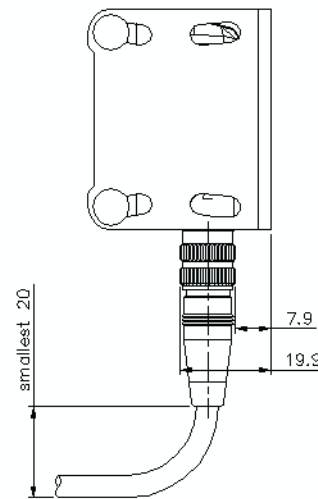
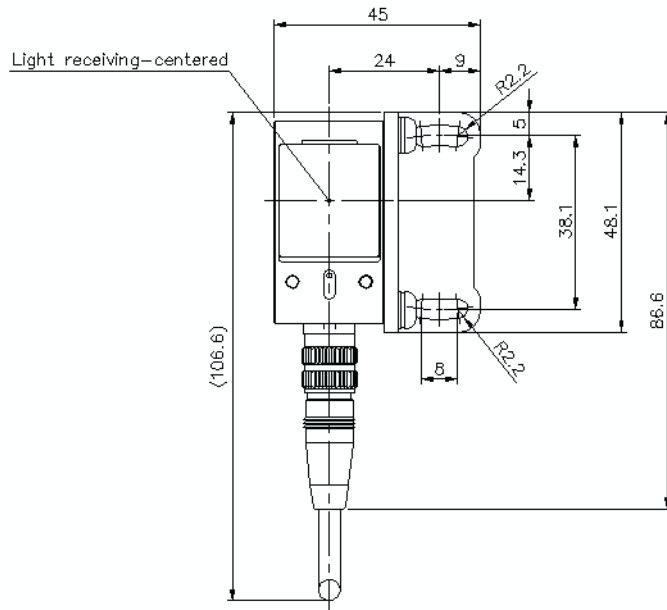
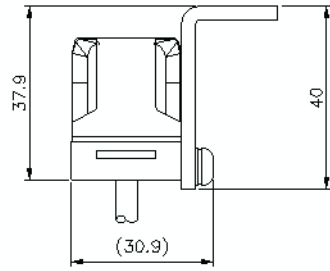
IV2-G150MA/G300CA/G500CA/G500MA  
/G600MA/OP-87899/87900/87901



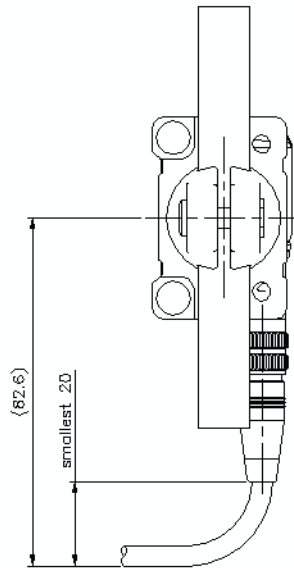
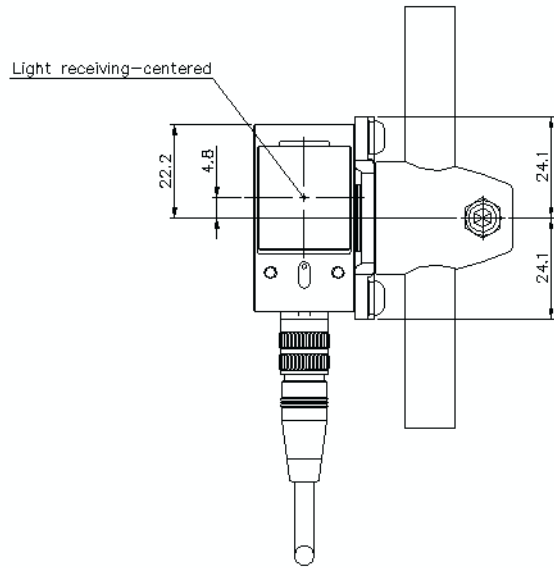
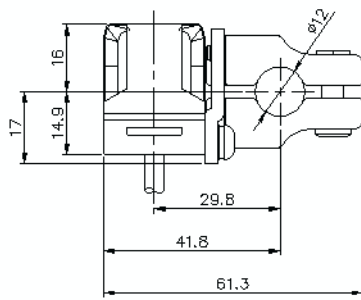
IV2-G150MA/G300CA/G500CA  
/G500MA/G600MA/OP-87908



IV2-G150MA/G300CA/G500CA  
/G500MA/G600MA/OP-87909



IV2-G150MA/G300CA/G500CA  
/G500MA/G600MA/OP-87910



A support pipe of  $\phi 12$  is not included in OP-87910.